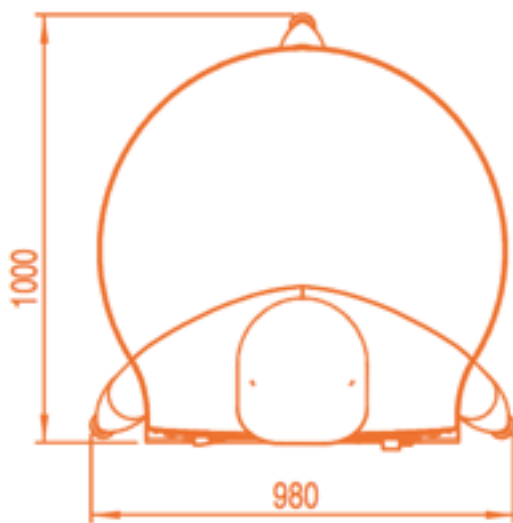
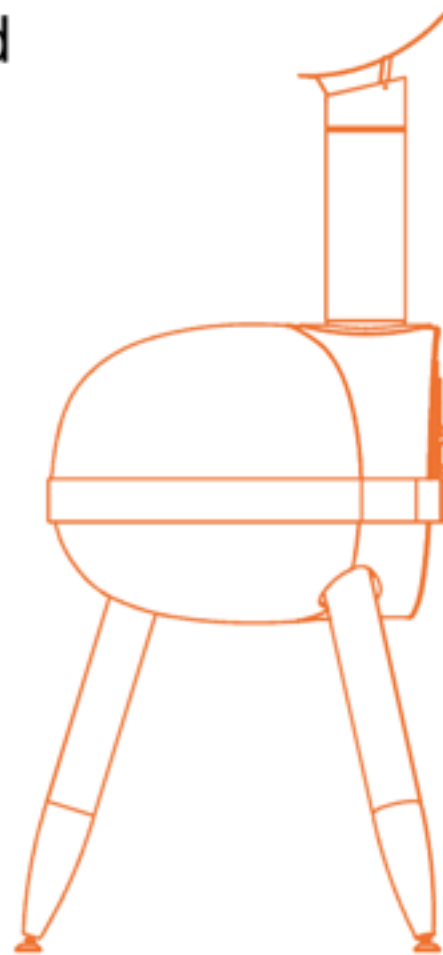
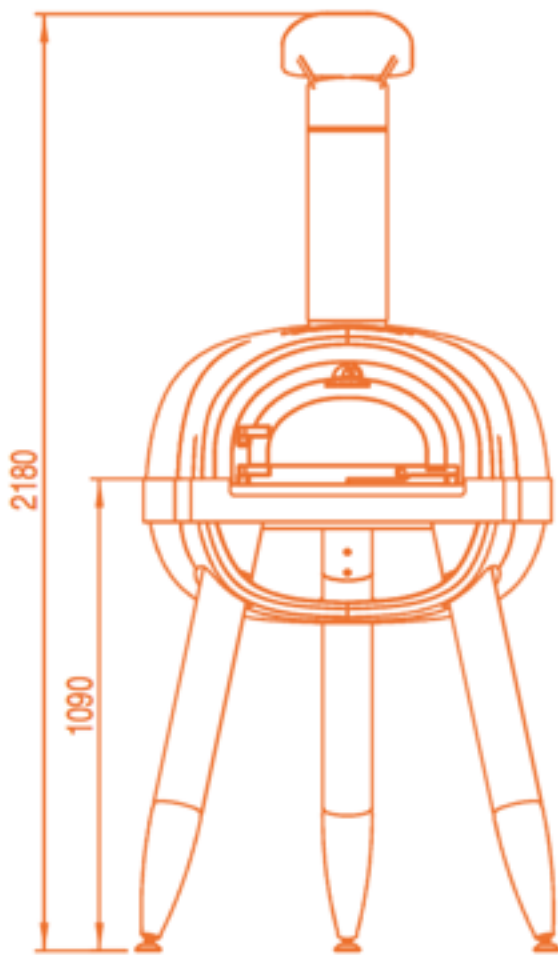


Alfred



Cooking chamber: Dome and hearth in chamotte. Diameter 700mm thickness 40mm

Characteristics: Cooking area 0.37m²

Weight: 220kg

Monobloc dome and hearth

155mm flue connector with twin wall flue and cap

Steel support with 3 legs in Douglas Fir

Two layers of ceramic fibre insulation

Dome cover and wood store in white fibre glass

Cast iron door with high temperature glazing



FOUR GRAND-MÈRE
— Le temps du bon! —



wood-fired oven 2018